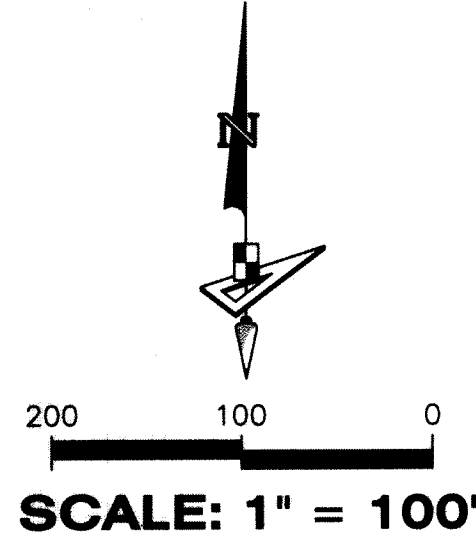


KINGFISHER BOULEVARD

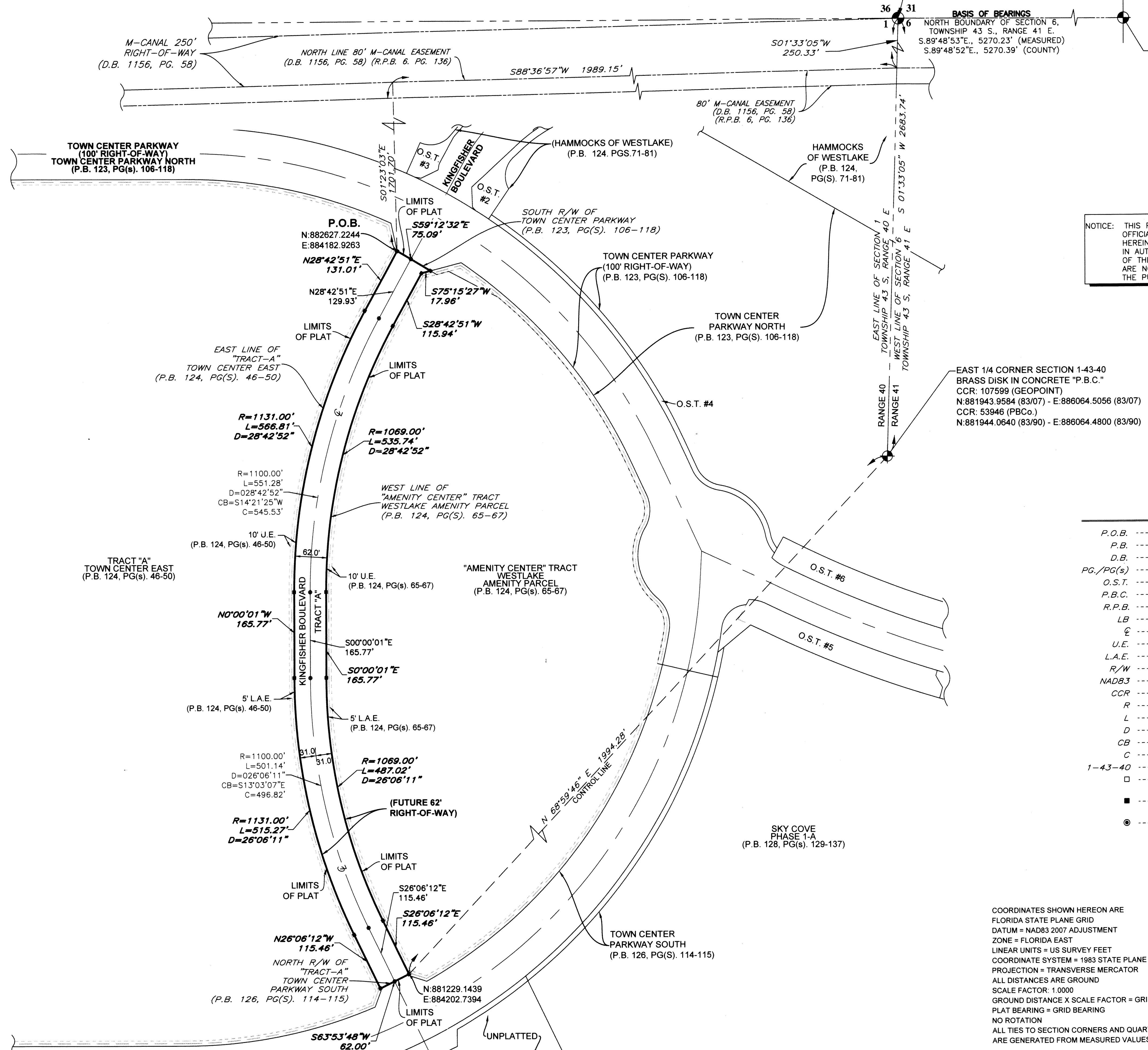
BEING A PLAT OF A PORTION OF
SECTION 1, TOWNSHIP 43 SOUTH, RANGE 40 EAST,
CITY OF WESTLAKE, PALM BEACH COUNTY, FLORIDA



POINT OF COMMENCEMENT
NORTHWEST CORNER OF
SECTION 6, TOWNSHIP 43 S., RANGE 41 E.
SET 3.5" IRON PIPE "PUBLIC LAND SURVEY
CORNER-TALLAHASSEE MERIDIAN"
BRASS DISK "10' EAST" SET IN CONCRETE
FOUND 10' EAST ON SECTION LINE
N: 884626.7147 E: 886137.1629
NAD83 (2007 ADJUSTMENT)
CERTIFIED CORNER RECORD #107597

NORTHEAST CORNER
SECTION 6-43-41
FOUND BRASS DISK IN CONCRETE
"P.B.C." N:884609.6818-E:891407.3638
NAD83 (2007 ADJUSTMENT)
CERTIFIED CORNER RECORD
#107591

NOTICE: THIS PLAT, AS RECORDED IN ITS GRAPHIC FORM, IS THE OFFICIAL DEPICTION OF THE SUBDIVIDED LANDS DESCRIBED HEREIN AND WILL IN NO CIRCUMSTANCES BE SUPPLANTED IN AUTHORITY BY ANY OTHER GRAPHIC OR DIGITAL FORM OF THE PLAT. THERE MAY BE ADDITIONAL RESTRICTIONS THAT ARE NOT RECORDED ON THIS PLAT THAT MAY BE FOUND IN THE PUBLIC RECORDS OF THIS COUNTY.



LEGEND	
P.O.B. -----	POINT OF BEGINNING
P.B. -----	PLAT BOOK
D.B. -----	DEED BOOK
PG./PG(s) -----	PAGE(S)
O.S.T. -----	OPEN SPACE TRACT
P.B.C. -----	PALM BEACH COUNTY
R.P.B. -----	ROAD PLAT BOOK
LB -----	LICENSED BUSINESS
CL -----	CENTERLINE
U.E. -----	UTILITY EASEMENT
L.A.E. -----	LIMITED ACCESS EASEMENT
R/W -----	RIGHT-OF-WAY
NAD83 -----	NORTH AMERICAN DATUM 1983
CCR -----	CERTIFIED CORNER RECORD
R -----	RADIUS
L -----	ARC LENGTH
D -----	DELTA ANGLE
CB -----	CHORD BEARING
C -----	CHORD
1-43-40 -----	SECTION-TOWNSHIP-RANGE
□ -----	FOUND PERMANENT REFERENCE MONUMENT
■ -----	SET PERMANENT REFERENCE MONUMENT
⊙ -----	PERMANENT CONTROL POINT

COORDINATES SHOWN HEREON ARE
FLORIDA STATE PLANE GRID
DATUM = NAD83 2007 ADJUSTMENT
ZONE = FLORIDA EAST
LINEAR UNITS = US SURVEY FEET
COORDINATE SYSTEM = 1983 STATE PLANE
PROJECTION = TRANSVERSE MERCATOR
ALL DISTANCES ARE GROUND
SCALE FACTOR: 1.0000
GROUND DISTANCE X SCALE FACTOR = GRID DISTANCE
PLAT BEARING = GRID BEARING
NO ROTATION
ALL TIES TO SECTION CORNERS AND QUARTER CORNERS
ARE GENERATED FROM MEASURED VALUES

GeoPoint
Surveying, Inc.

4152 W. Blue Heron Blvd.
Suite 105
Riviera Beach, FL 33404

Phone: (561) 444-2720
www.geopointsurvey.com
Licensed Business Number: LB 7768

Sheet No. 2 of 2 Sheets

82